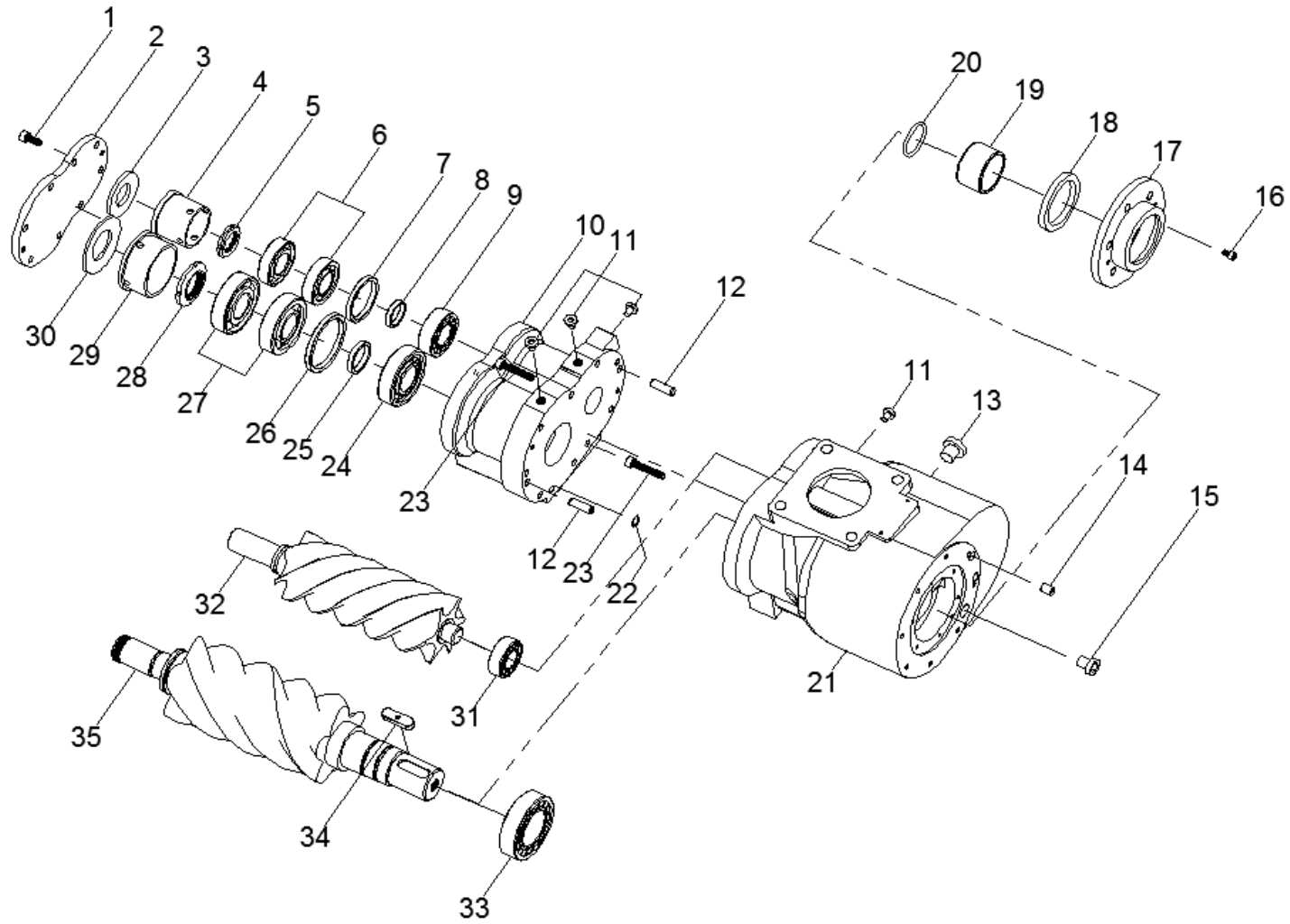


AA-240 Construction BOM



AA-240 Construction BOM

Item	Number	Description	Quantity	Item	Number	Description	Quantity
1	4301-108020-C	Bolt	8	21	35322-1141AK	Housing	1
2	3502-1101A	Discharge Cover Plate	1	22	4201-VP010	O-Ring	1
3	4307-DB063	Disc Spring	1	23	4301-108045-C	Bolt	9
4	3509-1109A	Bearing Spacer	1	24	4102-NU307E	Bearing	1
5	4302-230	KM Nut	1	25	3502-1134A	Spacer Ring	1
6	4101-7206BUO	Bearing	2	26	3502-113DA	Spacer Ring	1
7	3502-113AA	Spacer Ring	1	27	4101-7307BUO	Bearing	2
8	3502-1137A	Spacer Ring	1	28	4302-235	KM Nut	1
9	4102-NU2206E	Bearing	1	29	3502-1109A	Bearing Spacer	1
10	35302-1131CJ	Bearing Seat	1	30	4307-DB080	Disc Spring	1
11	4305-924	Plug	5	31	4102-NJ2205E	Bearing	1
12	35302-1102A	Parallel Pin	2	32	35322-1133AD-A	Female Rotor	1
13	4305-927	Plug	1	33	4102-NU2210E	Bearing	1
14	4305-107	Plug	6	34	3502-1164A	Parallel Key	1
15	4305-926	Plug	1	35	35322-1132AD-A	Male Rotor	1
16	4301-106016-C	Bolt	6				
17	35322-1161AE	Seal Cover	1				
18	4203-060080L	Shaft Seal	1				
19	4807-06	Bush	1				
20	4201-VG045	O-Ring	1				